

Fluid control valve(2/2way)

2W Series (Direct-acting and normally closed)



Symbol



Product feature

1. Direct acting normally closed type 2/2-way solenoid valve can quickly and sensitively change the direction;
2. It has wide pressure range, including extra high pressure (X), high pressure type (H), standard type, large volume(L) and extra large volume (T) for your choice;
3. It has tight structure, small size and light weight. It is easy to be installed and dismantled;
4. The valve body is made of brass. The temperature classification of coil is B. The standard's material is FPM-F, please contact us if other material needed.
5. The levels of protection of the coil are IP65 and the electrical entry includes grommet and terminal.

Valve's specification

Acting	Direct acting				
Initial status	Normally closed				
Adaptable fluid ①	Air, Water, Oil, Vacuum				
Viscosity limit	Under 20 CST				
Ambient and fluid temperature (°C)	Water	Air	Oil	Ambient	
	MAX. 80	90	80	70	
	Min. 1	-20 ②	-10 ③	-20	

- ① Note: In vacuum, the inlet and outlet should be instated reversibly; Please refer to PI-79 for detail of other's fluid;
 ② Note: Dew point: -20 (°C) or less; ③ Note: 50CST or less.

Inner structure

2W030 Terminal

NO.	Item	NO.	Item	NO.	Item	NO.	Item
1	Body	5	O-ring	9	Coil assembly	13	Washer
2	Airtight ring	6	Fixed plate	10	E Clip	14	Screw
3	Spring	7	Wear ring	11	Gasket	15	Filter
4	Fixed cap	8	Movable core	12	Terminal		

Specification

Type\Item	Port size①		Orifice size (φ mm)	Cv	Valid area of section (mm ²)	Weight ② (g)	Max. operating Pressure differentia		Proof pressure	
	MPa	psi					MPa	psi		
2WX030	-06	1/8"	1.5	0.10	1.8	305	3.0	450	5.0	750
	-08	1/4"								
2WH030	-06	1/8"	2.0	0.18	3.0	305	2.0	300		
	-08	1/4"								
2W030	-06	1/8"	3.0	0.33	6.0	305	1.0	150		
	-08	1/4"								
2WL030	-06	1/8"	4.0	0.55	10.0	305	0.5	75		
	-08	1/4"								
2WT030	-06	1/8"	6.0	1.10	12.0	305	0.1	15		
	-08	1/4"								
2WX050	-10	3/8"	3.0	0.34	6.1	620	3.0	450		
	-15	1/2"								
2WH050	-10	3/8"	4.0	0.55	10.0	620	2.0	300		
	-15	1/2"								
2W050	-10	3/8"	5.0	0.83	15.0	620	1.0	150		
	-15	1/2"								
2WL050	-10	3/8"	7.0	1.40	25.0	620	0.5	75		
	-15	1/2"								
2WT050	-10	3/8"	10.0	2.20	40.0	620	0.1	15		
	-15	1/2"								

- ① PT thread, NPT thread and G thread are available.
 ② The weight in the table is the terminal valve's weight, 2W030 series grommet valve's weight is 10g less than terminal's. 2W050 series grommet valve's weight is 20g less than terminal's.

Specification of coil

Valve type	Coil type	Power type	Frequency (Hz)	Voltage range	Electrical entry	Power Consumption (VA/W)	Insulation	Temp rise (°C)
2W□030	CDA116 CLA116	AC	50	± 15%	Terminal (CDA)	10.0VA	Class B	35
			60			8.0VA		30
2W□050	CDA170 CLA170	AC	50	± 15%	Grommet (CLA)	25.0VA		60
			60			22.0VA		55
			DC	-	± 10%	10.5W	40	

Ordering code

2W L 030 — 08 — A — □ — P

- Pressure condition**
 - X: Extra high pressure
 - H: High pressure
 - Blank: Standard
 - L: Larger volume
 - T: Extra large volume ①
- Voltage**
 - A: AC220V
 - B: DC24V
 - C: AC110V
 - E: AC24V
 - F: DC12V
- Thread type**
 - P: PT
 - T: NPT
 - G: G
- Model**
 - 2W: 2/2 Way Direct-acting and normally closed
- Size series**
 - 030: 030 Series
 - 050: 050 Series
- Port size**
 - 06: 1/8"
 - 08: 1/4"
 - 10: 3/8"
 - 15: 1/2"
- Electrical entry**
 - Blank: Terminal
 - I: Grommet

① Extra large volume type has no filter element.

Ordering code of accessories

F — 2W030 LB

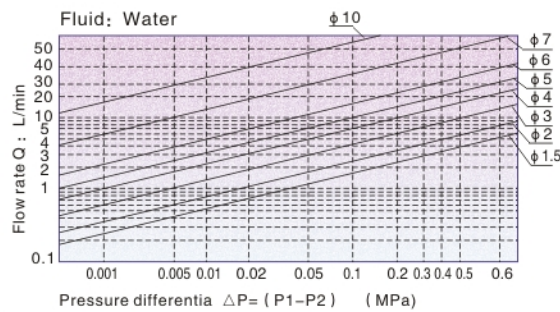
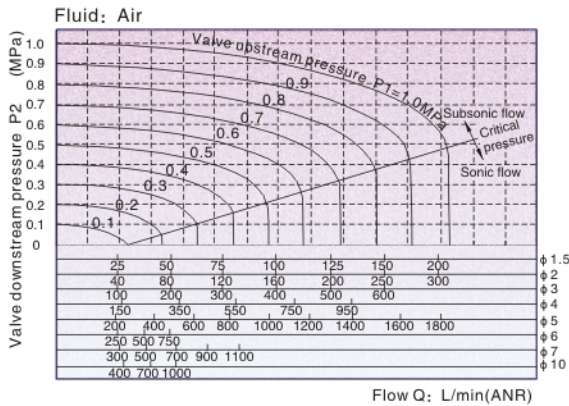
- Accessories code**
 - F: Mounting accessories
- Valve type**
 - 2W030: 030 Series body
 - 2W050: 050 Series body
- Accessories type**
 - LB: LB type



Fluid control valve(2/2way)

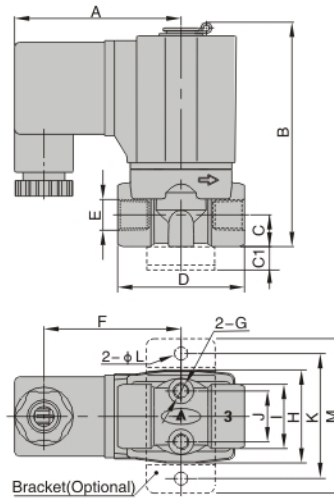
2W Series (Direct-acting and normally closed)

Flow chart

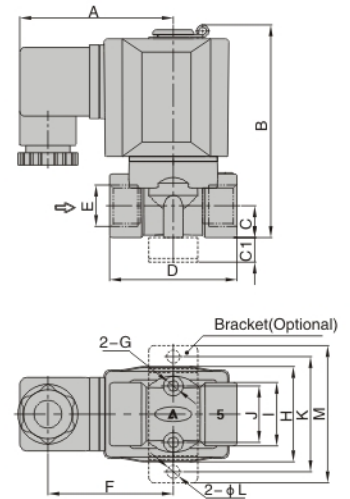


Dimensions

2W□030 Terminal

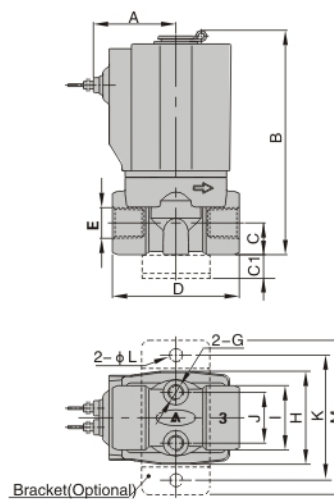


2W□050 Terminal

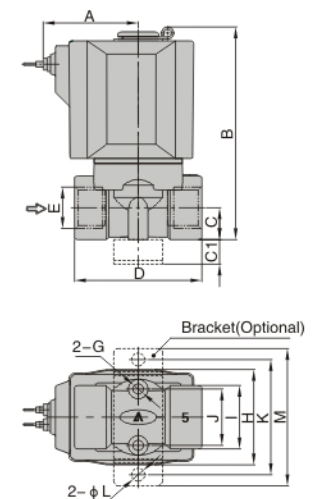


Type/Item	A	B	C	C1	D	E	F	G	H	I	J	K	L	M
2W□030-06	52.5	70.7	10	10	40	1/8"	43.3	M5	29.3	20.2	16	40	5.3	49
2W□030-08	52.5	70.7	10	10	40	1/4"	43.3	M5	29.3	20.2	16	40	5.3	49
2W□050-10	62.7	87	13	10	52	3/8"	51.2	M5	39	26	23	48	5.3	56
2W□050-15	62.7	87	13	10	52	1/2"	51.2	M5	39	26	23	48	5.3	56

2W□030 Grommet



2W□050 Grommet



Type/Item	A	B	C	C1	D	E	G	H	I	J	K	L	M
2W□030-06	26	70.7	10	10	40	1/8"	M5	29.3	20.2	16	40	5.3	49
2W□030-08	26	70.7	10	10	40	1/4"	M5	29.3	20.2	16	40	5.3	49
2W□050-10	39	87	13	10	52	3/8"	M5	39	26	23	48	5.3	56
2W□050-15	39	87	13	10	52	1/2"	M5	39	26	23	48	5.3	56